

WARNING!

DO NOT SHOOT HOLLOW POINT
OR EXPANDING
AMMUNITION THROUGH THE
WIPE!

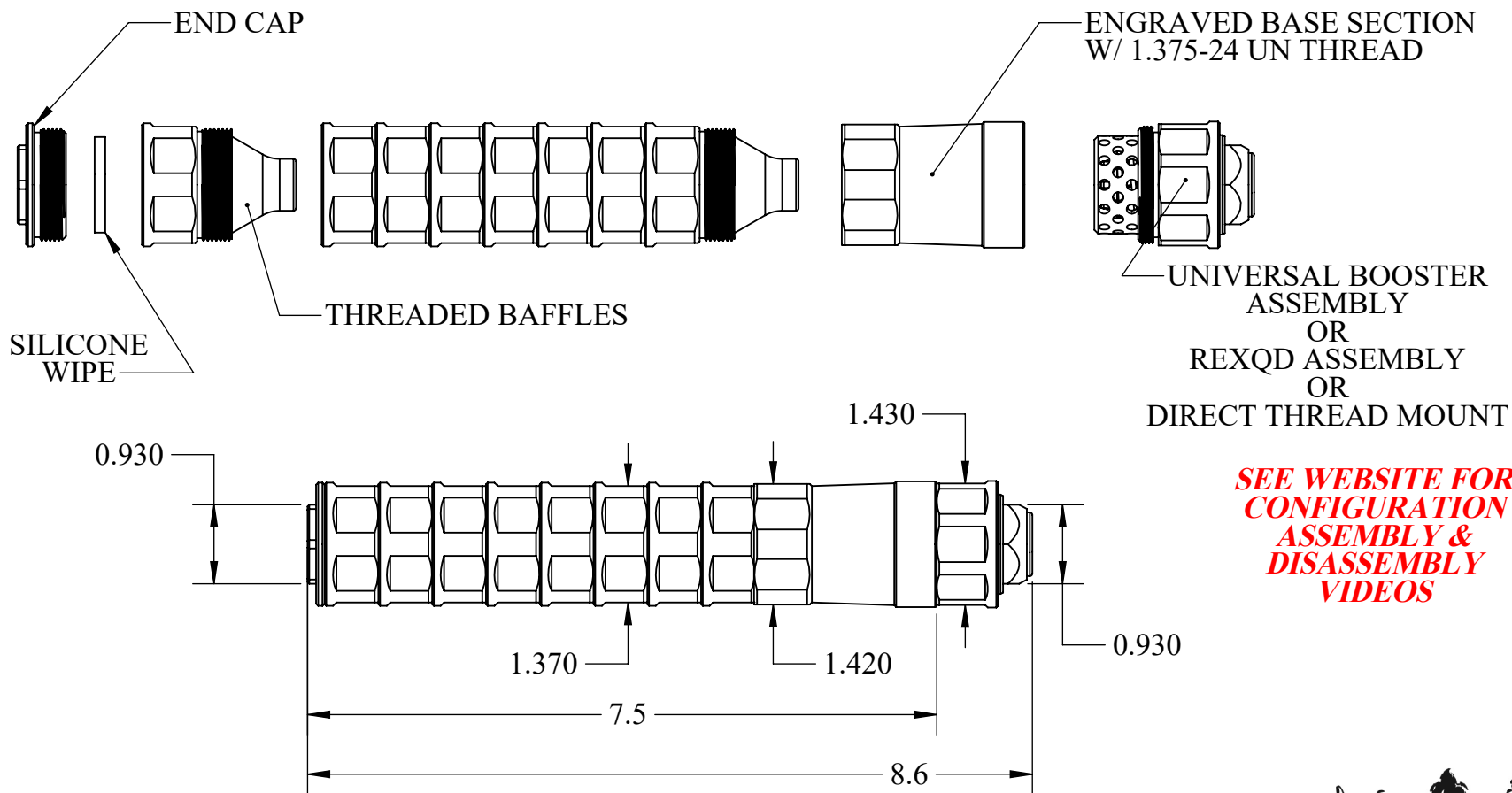
ONLY SHOOT FULL METAL
JACKET AMMUNITION WHEN
USING THE WIPE

(C) Copyright 2020
All Rights Reserved

Rex Silentium, Inc.
Bozeman, Montana
406-624-0669
www.RexSilentium.com



SEG H PISTOL GEN 2 Suppressor Instructions & Configurations



**SEE WEBSITE FOR
CONFIGURATION
ASSEMBLY &
DISASSEMBLY
VIDEOS**

Disassembly:

1. Never attempt to service or disassemble the suppressor while attached to host firearm!
2. Use appropriate Socket and/or Adjustable Wrenches for unthreading all parts
3. Clean all components, taking care not to use powder or copper solvents on aluminum parts. Mild soap and water with brushing works well on aluminum components.
4. Once all parts are clean and dry, apply light oil to all components and threads. Take care not to cross thread upon reassembly!

Reassembly:

5. Start reassembly from either end of the suppressor
6. Place Universal Booster into the larger threaded end of the base SEGMENT (with serial number) and tighten

NOTE:
The included Universal Booster can be disassembled for cleaning and lubrication. Rotation of the baffle order is encouraged to enhance life expectancy of all the baffles. The wipe can be removed using a screwdriver to push the wipe out from the aperture of the end cap.

(C) Copyright 2020
All Rights Reserved

Rex Silentium, Inc.
Bozeman, Montana
406-624-0669
www.RexSilentium.com



SEG H PISTOL GEN 2 Suppressor Instructions & Configurations

Warranty and Disclaimer:

All instructions must be read and understood. Seraph Enterprises, Inc. DBA Rex Silentium, Inc. warrants to the retail customer that this suppressor is free of defects in workmanship and/or materials, and that this suppressor meets or exceeds all manufacturing specifications. This warranty for this suppressor only covers repair or replacement at our discretion. THERE IS NO OTHER WARRANTY, EXPRESS OR IMPLIED. There is no warranty for the merchantability of nor the fitness of this suppressor for particular purposes. Specifications and/or designs may change without notice. This warranty does not include or cover: careless handling or use; negligence; improper handling or use; attempted, partial or complete disassembly; abuse; modifications; improper installation; ordinary wear as a result of normal use; use of improper ammunition; or any failure to follow instructions.

Rex Silentium, Inc. shall have no liability in any way for any damages or for any personal injury or death, economic loss, or damage to property.

BEFORE USING THIS SUPPRESSOR:

Make sure the firearm is unloaded and the safety is on. Read all instructions on this page for this suppressor. Failure to do so may result in serious injury or death! Always use extreme caution when handling firearms and suppressors!

AMMUNITION:

Use only factory SAMMI approved ammunition with this suppressor. USE ONLY AMMUNITION OF CALIBER EQUAL TO OR SMALLER THAN THE CALIBER ENGRAVED ON THIS SUPPRESSOR!

INSTALLATION AND REMOVAL:

NEVER INSTALL OR REMOVE SUPPRESSOR ON A LOADED FIREARM! Visually inspect and make sure the firearm safety is engaged, verify firearm is unloaded and remove magazine if applicable. TO INSTALL: make sure muzzle threads and caliber correspond with the suppressor specifications. Carefully thread the suppressor onto the muzzle threads. Hand tighten. DO NOT OVER TIGHTEN. From the rear of the firearm, visually inspect the bore with the suppressor attached to verify that the suppressor does not obstruct the bore of the firearm. Never inspect bore alignment from the front of the firearm! TO REMOVE: ONCE THE SUPPRESSOR HAS COOLED TO ROOM TEMPERATURE, unscrew the suppressor by hand. If necessary, use of a strap-wrench on the rear of the suppressor to loosen. NEVER ATTEMPT TO REMOVE A HOT SUPPRESSOR! KEEP HOT SUPPRESSOR AWAY FROM FLAMMABLE AND COMBUSTIBLE MATERIALS!

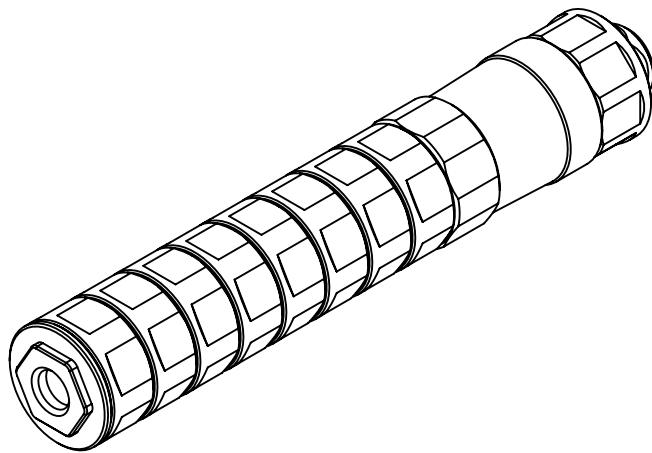
MAINTENANCE:

SEE DISASSEMBLY AND REASSEMBLY INSTRUCTIONS.

REPAIRS:

Contact us before any return is attempted or shipped! To follow legal requirements, you must not ship your suppressor to us until we have reviewed your situation. BATFE REQUIRES A LETTER TO SHIP WITH THE SUPPRESSOR WITH DETAILS ABOUT THE SERVICE OR REPAIR AND REQUIRES PROOF OF OWNERSHIP. YOU MUST PROVIDE A COPY OF THE FIRST PAGE OF YOUR FORM 3, FORM 4 OR FORM 5 IN ADDITION TO THE REPAIR LETTER. A SERIAL NUMBER CANNOT BE TRANSFERRED TO A NEW SUPPRESSOR OR TUBE.

Thank you for your purchase!



(C) Copyright 2020
All Rights Reserved

Rex Silentium, Inc.
Bozeman, Montana
406-624-0669
www.RexSilentium.com